

## Features

- Ultra-wide 85 - 264V AC and 100 - 370V DC input voltage range
- Accepts AC and/or DC input (dual-use of same terminal)
- Operating Temperature Range: -40~+70°c
- Approved to cURus, CE, RoHS
- Safety Standards to IEC/EN/UL62368
- Efficiency up to 80%
- EMC Class A & B
- Single output 3.3~24V DC



Ideal Power's 36LDE06-20Bxx-A2S 6W Chassis Mount AC/DC Power Supply Converter Series are certified to cRUus, CE, RoHS & IEC/EN/UL62368/EN60335/EN61558 Standards and comply with the relevant Efficiency Regulations. These are primarily used in ITE, Audio & Video Industries and customised solutions are available upon request.

## Models

Model Number	Output Power	Output Voltage and Current (Vo/Io) Nominal	Efficiency at 230V AC (%) Typ	Capacitive Load (µF) Max
36LDE06-20B03-A2S	4.1W	3.3V/1.25mA	70	4000
36LDE06-20B05-A2S	6W	5V/1.2A	76	4000
36LDE06-20B09-A2S	6W	9V/660mA	74	1000
36LDE06-20B12-A2S	6W	12V/500mA	77	820
36LDE06-20B15-A2S	6W	15V/400mA	77	820
36LDE06-20B24-A2S	6W	24V/250mA	80	330

## Input Specifications

	Conditions	Min	Typ	Max	Unit
Input voltage range	AC input	85		264	VAC
	DC input	100		370	VDC
Input frequency		47		63	Hz
Input current	115V AC			0.15	A
	230V AC			0.10	
Inrush current	115V AC		10		A
	230V AC		20		
Recommended External Input Fuse		1A/250V, Slow blow, required			
Hot Plug		Unavailable			

**Output Specifications**

Parameter	Conditions	Min	Typ	Max	Unit
Output voltage accuracy	3.3V output Others		±3 ±2		%
Line regulation	Full load		±0.5		%
Load regulation	0% - 100% load		±1		%
Ripple and Noise*	20MHz bandwidth (peak to peak value)		50	100	mV
Temperature coefficient			±0.2		%/°C
Short circuit protection		Hiccup, continuous, self-recovery			
Over current protection		≥ 110%Io, self-recovery			
Over voltage protection	3.3/5V DC output		≤7.5V DC		
	9V DC output		≤15V DC		
	12/15V DC output		≤20V DC		
	24V DC output		≤30V DC		
Minimum load		0			%
Hold up time	115V AC		8		ms
	230V AC		60		

**Note:** \* The “parallel cable” method is used for Ripple and noise test, please refer to AC-DC Converter Application Notes for specific information.

**General Specifications**

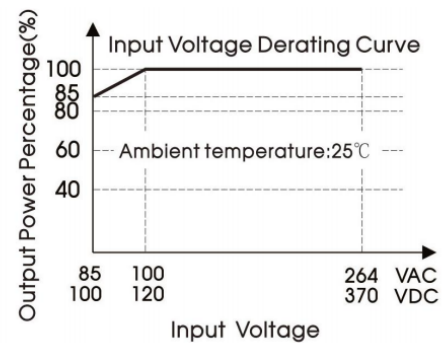
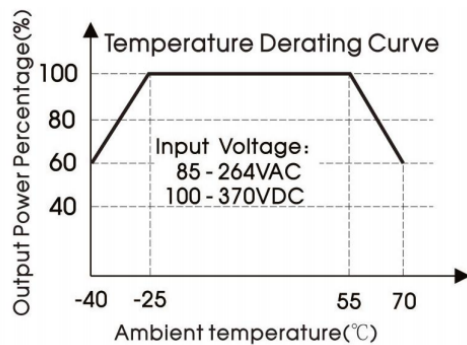
Parameter	Conditions	Min	Typ	Max	Unit
Isolation test	Input-Output Electric Strength Test for 1min, (Leakage current <5mA)	4000			V AC
Operating Temperature		-40		+70	°C
Storage Temperature		-40		+105	°C
Storage Humidity				95	%RH
Soldering Temperature	Wave-soldering	260 ± 5°C; time: 5 - 10s			
	Manual-welding	360 ±10°C; time: 3 - 5s			
Switching Frequency			100		kHz
Power Derating	-40°C to -25°C	2.66			°C
	+50°C to +70°C	2.66			
	85-100V AC	1.0			
Safety Standard		IEC/EN/UL62368			
Safety Certification		IEC/EN/UL62368			
Safety Class		Class II			
MTBF		MIL-HDBK-217F@25°C ≥ 2602,000 h			

**Mechanical Specifications**

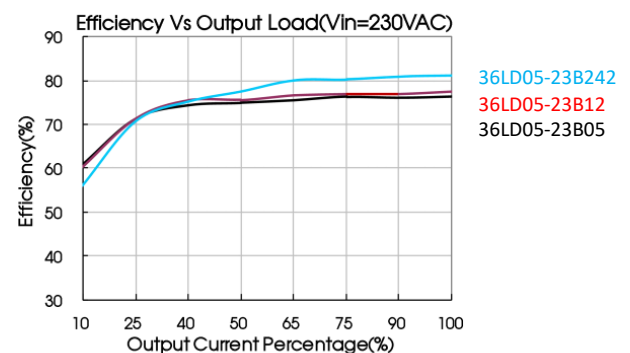
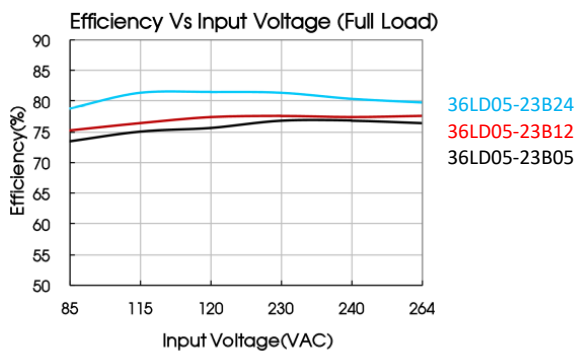
Case material	Black plastic, flame-retardant and heat-resistant (UL94 V-0)	
Dimension	A2S Chassis Mounting	76 x 31.5 x 28.76mm
Weight	A2S Chassis Mounting	52g (Typ.)
Cooling method	Free air convection	

**Electromagnetic Compatibility (EMC)**

		CISPR32/EN55032 CLASS B	
	RE	CISPR32/EN55032 CLASS B	
Immunity	ESD	IEC/EN 61000-4-2 Contact $\pm 6\text{KV}$ /Air $\pm 8\text{K}$	Perf. Criteria B
	RS	IEC/EN 61000-4-3 10V/m	Perf. Criteria A
	EFT	IEC/EN 61000-4-4 $\pm 2\text{KV}$	Perf. Criteria B
		IEC/EN 61000-4-4 $\pm 4\text{KV}$ (See Fig. 2 for recommended circuit)	Perf. Criteria B
	Surge	IEC/EN 61000-4-5 line to line $\pm 1\text{kV}$	Perf. Criteria B
		IEC/EN 61000-4-5 line to line $\pm 2\text{KV}$ / line to ground $\pm 4\text{KV}$ (See Fig. 2 for recommended circuit)	Perf. Criteria B
	CS	IEC/EN61000-4-6 10Vr.m.s	Perf. Criteria A
	Voltage dips, short interruptions and voltage variations immunity	IEC/EN61000-4-11 0%, 70%	Perf. Criteria B

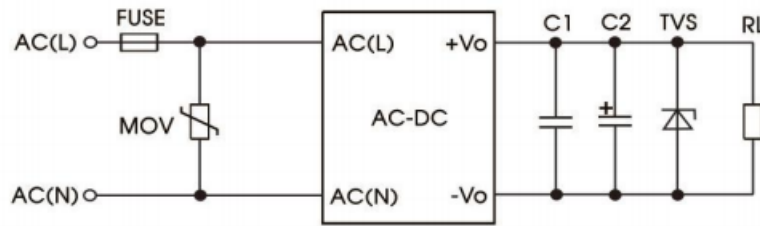
**Characteristic Curve**


Note: ① With an AC input between 85-100VAC and a DC input between 100-120VDC, the output power must be derated as per temperature derating curves;  
 ② This product is suitable for applications using natural air cooling.



**Design Reference (Figure 1)**

## 1. Typical application



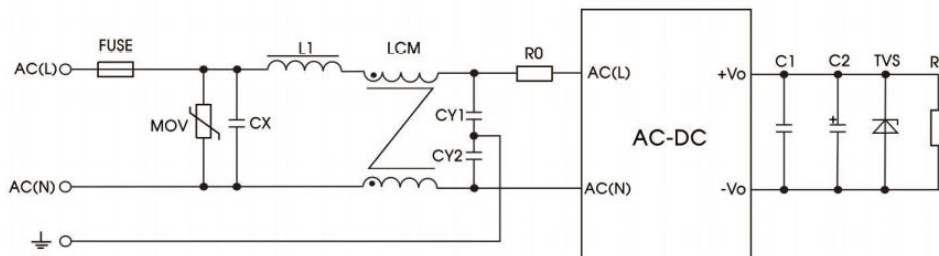
Element Model	MOV1	C1	C2	Fuse	TVS
36LDE06-20B03-A2S	S14K350	1 $\mu$ F	220 $\mu$ F	1A/250V, slow blow required	SMBJ7.0A
36LDE06-20B05-A2S	S14K350	1 $\mu$ F	220 $\mu$ F		SMBJ7.0A
36LDE06-20B09-A2S	S14K350	1 $\mu$ F	100 $\mu$ F		SMBJ12A
36LDE06-20B12-A2S	S14K350	1 $\mu$ F	100 $\mu$ F		SMBJ20A
36LDE06-20B15-A2S	S14K350	1 $\mu$ F	100 $\mu$ F		SMBJ20A
36LDE06-20B24-A2S	S14K350	1 $\mu$ F	47 $\mu$ F		SMBJ30A

**Output Filter Components:**

We recommend using an electrolytic capacitor with high frequency, and low ESR rating for C2 (refer to manufacture's datasheet). Choose a capacitor voltage rating with at least 20% margin, in other words not exceeding 80%. C1 is a ceramic capacitor used for filtering high-frequency noise and TVS is a recommended suppressor diode to protect the application in case of a converter failure.

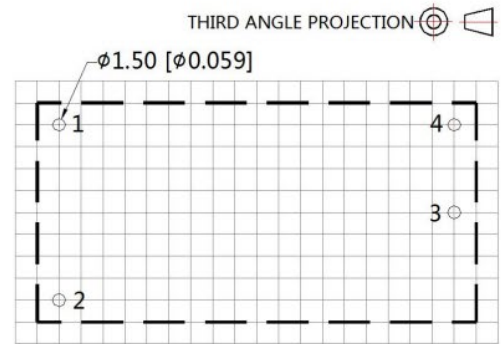
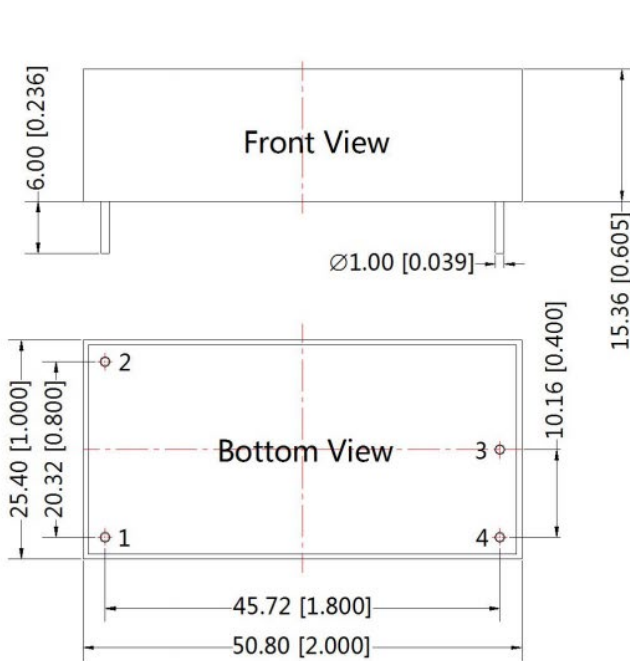
**Design Reference (Figure 2)**

## 2. EMC compliance recommended circuit



Element Model	Component Values
MOV	S14K350
CX	0.1 $\mu$ F/275VAC
L1	4.7 $\mu$ H/2.0A
LCM	2.2mH, we recommend using part no. FL2D-10-222 (MORNSUN)
CY1	1nF/400VAC
CY2	1nF/400VAC
FUSE	2A/250V slow-blow required
R0	33 $\Omega$ /3W

Dimensions and Recommended Layout



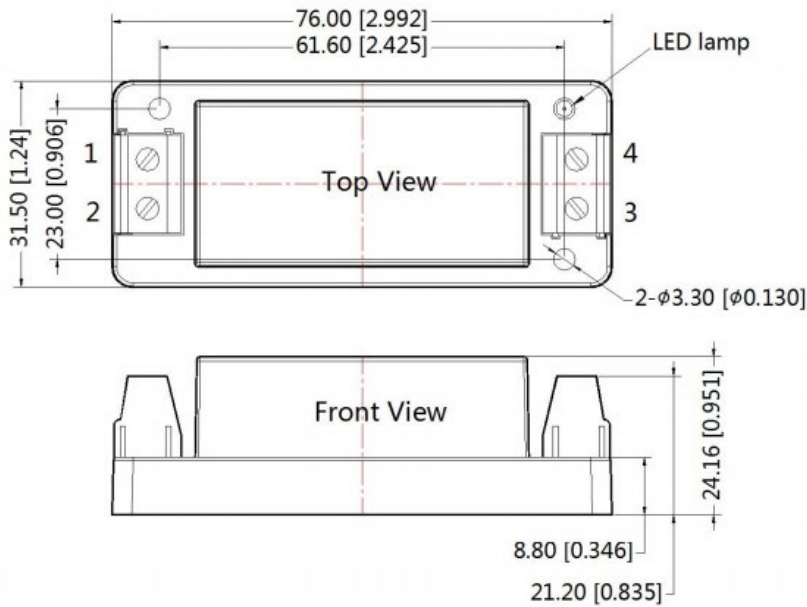
Note: Grid 2.54\*2.54mm

Pin-Out	
Pin	Function
1	AC(N)
2	AC(L)
3	-Vo
4	+Vo

Note:  
Unit :mm[inch]  
Pin diameter tolerances :±0.10[±0.004]  
General tolerances:±0.50[±0.020]

## A2S Dimensions

THIRD ANGLE PROJECTION



Pin-Out	
Pin	Function
1	AC(N)
2	AC(L)
3	-Vo
4	+Vo

Note:  
 Unit: mm[inch]  
 Wire range: 24-12 AWG  
 Tightening torque: Max 0.4 N·m  
 General tolerances: ±1.00[±0.039]

### Notes:

1. For additional information on Product Packaging please refer to [www.Idealpower.co.uk](http://www.Idealpower.co.uk). Packaging bag number: 58220003(DIP package); 58220022 (A2S/A4S package);
2. Unless otherwise specified, parameters in this datasheet were measured under the conditions of Ta=25°C, humidity <75% with nominal input voltage.
3. All index testing methods in this datasheet are based on our company corporate standards.
4. We can provide product customization service, please contact our technicians directly for specific information.
5. Products are related to laws and regulations: see "Features" and "EMC".
6. Our products shall be classified according to ISO14001 and related environmental laws and regulations and shall be handled by qualified units.